

***Argo 6x6***  
***Frontier 650***

***Argo 6x6***  
***Frontier 580***



***Argo 6x6***

***Frontier***

**PARTS MANUAL**

From Serial # ...16916

# Foreword

ODG has prepared this parts manual for the FRONTIER model to assist both qualified mechanics and vehicle owners in ordering correct, quality replacement ARGO parts. For the most current parts manual visit our website at [www.argoatv.com](http://www.argoatv.com).

Proper and regular service, and replacing old, worn or broken parts with the correct ARGO replacement parts, are both essential to prolonging the life of the ARGO. Please refer to this parts manual and/or our website [www.argoatv.com](http://www.argoatv.com) before ordering any replacement part.

All information contained in this FRONTIER Parts Manual is based on the latest product specification available at time of printing. If your FRONTIER differs from the specifications contained in this manual, check our website [www.argoatv.com](http://www.argoatv.com) for the most current information.

ODG reserves the right to alter specifications on the FRONTIER model at any time, without obligation or prior notification.

Reproduction of this FRONTIER Parts Manual, in whole or in part, is prohibited without prior written permission from Ontario Drive & Gear Limited.

## Vehicle Identification

**FRONTIER** - Serial Nos. ...16916

## Explanation of Parts Manual Format

- Ref** - Reference number between assembly diagram and component parts list
- Part No.** - Argo replacement part number for identification and re-ordering
- Description** - Part description for identification and re-ordering
- Qty** - Indicates the quantity of a part used in an assembly

**Argo 6x6**  
**Frontier 650**

**Argo 6x6**  
**Frontier 580**

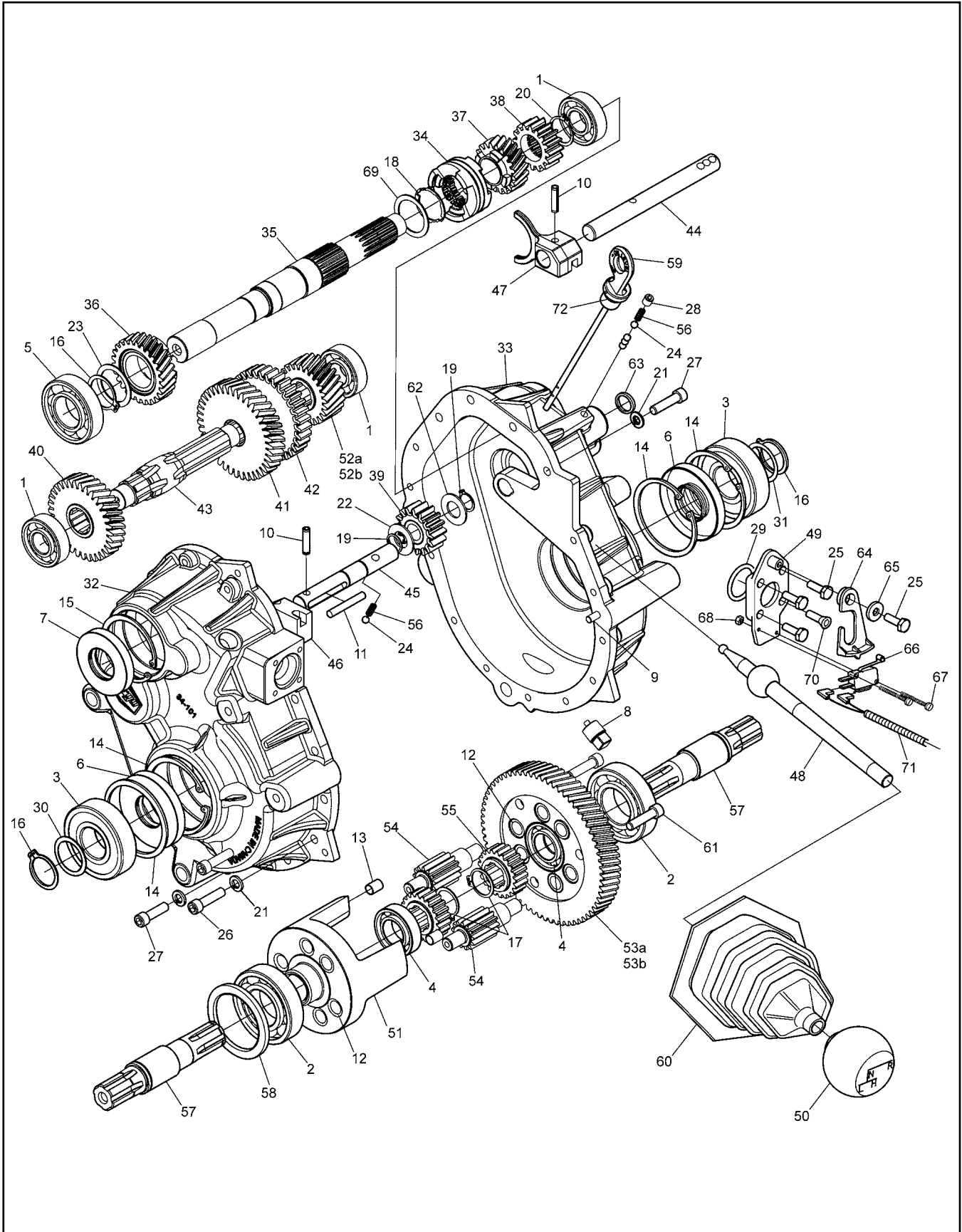


### Using the Parts Manual

1. Find the major vehicle assembly in the Table of Contents on this page, and turn to that section.
2. Locate the part in the illustration that you wish to order.
3. Refer to the parts list in that section.
4. Find the correct part number (Part No.), part description (Description) and correct quantity (Qty).
5. Use *only* this information to order ARGO replacement parts. **DO NOT** attempt to order a replacement part by reference number or page number.

### Table of Contents

Foreword .....	i
Vehicle Identification.....	i
Using the Parts Manual .....	ii
1.0 Transmission .....	1
2.0 Intake and Exhaust System.....	3
3.0 Clutch System .....	5
4.0 Power Pack Assembly .....	7
5.0 Steering & Brake System .....	9
6.0 Parking Brake .....	11
7.0 Vehicle Body & Firewall.....	13
8.0 Frame & Drive System .....	15
9.0 Fuel System & Seat Assembly .....	17
10.0 Electrical System.....	19

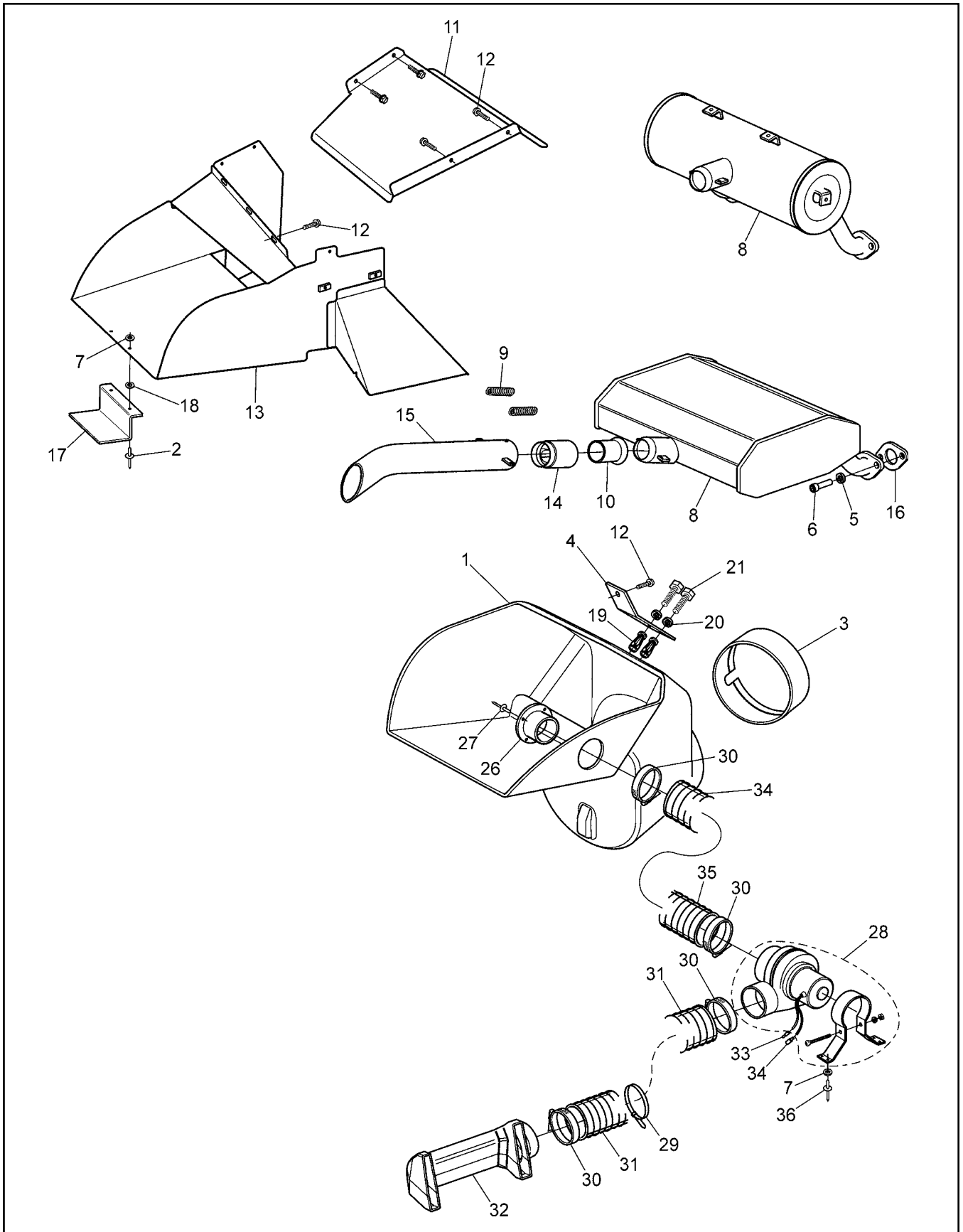


# 6x6 Frontier Parts Manual

# 1.0 Transmission

Ref.	Qty.	Part #	Description	Ref.	Qty.	Part #	Description
	1	34-100	Transmission Assembly	40	1	34-109	Gear, Helical - HI 12DP 33T
	1	34-100-3.3	Transmission Assembly	41	1	34-110	Gear, Helical - LOW 12DP 39T
1	3	101-01	Bearing, Ball 6204Z-C3	42	1	34-111	Gear, Reverse - 10DP 33T
2	2	101-03	Bearing, Ball 6207-C3	43	1	34-112	Shaft, Spline
3	2	101-05	Bearing, Ball 6306LLU-C3/2A	44	1	34-113	Shaft, Shift - Forward
4	2	101-15	Bearing, Ball 6005-C3	45	1	34-114	Shaft, Shift - Reverse
5	1	101-16	Bearing, Ball 6206-C3	46	1	34-115	Block, Shift
6	2	102-03	Seal,Oil WBS 30x72x10 NB D/LIP	47	1	34-116	Fork, Shift
7	1	102-05	Seal,Oil WBS 30x62x10 NB D/LIP	48	1	34-117	Lever, Shift
8	1	103-02	Plug, Magnetic 3/8-18NPT SQ.HD	49	1	34-131	Plate, Shifter
9	2	104-03	Pin, Dowel 1/4x7/8	50	1	34-121	Knob, Shift - w/Argo Logo
10	2	104-39	Pin, Spring - 1/4 x 1.0	51	1	34-122	Cage, Differential
11	1	104-40	Pin, Dowel - 1/4 x 1.75	52a	1	34-123	Pinion, Helical - 25T - 2.6
12	12	105-03	Bushing, Oilite - 1/2x3/4	52b	1	34-125	Pinion, Helical - 21T - 3.3
13	3	105-23	Bushing, Dowel - .312 x .5	53a	1	34-124	Gear Plate - 66T - 2.6
14	4	106-03	Retaining Ring HO-281PA	53b	1	34-126	Gear Plate - 70T - 3.3
15	1	106-05	Retaining Ring HO-244-PA	54	6	34-13	Gear, Planet - 12T
16	3	107-02	Retaining Ring SH-0118-PA	55	2	34-14	Gear, Sun - 21T
17	2	107-04	Retaining Ring SH-0098-PA	56	2	34-32	Spring, Comp. 0.22x.50
18	1	107-14	Retaining Ring LC-125-PA	57	2	34-98	Shaft, Output - Splined
19	2	107-11	Retaining Ring	58	1	114-01	Washer, Shim 2.25 x 2.81 x .02
20	1	107-15	Retaining Ring SHR-098-PA	59	1	CE-035	Dipstick - with Breather - 190mm
21	15	108-05	Lockwasher 5/16 Split Ring Zn	60	1	609-38	Boot, Shifter
22	1	108-78	Washer, Thrust	61	3	112-64	SHCS, 5/16-18 x 1.25
23	1	108-79	Washer, Thrust	62	1	108-88	Washer, Retaining Thrust
24	5	109-05	Ball, Steel 6mm 62-67 Rc	63	1	113-16	O-Ring #AS568-014-70BN 5/8"OD x 1/2"ID x 1/16" Thk
25	4	112-04	HHCS 1/4-20x3/4 Gr2 Zn	64	1	34-132	Follower, Neutral Start
26	14	112-143	SHCS 5/16 x 1.25 Zn	65	1	108-08	Washer, .28 x .62 x .07 Zn
27	1	112-144	SHCS 5/16 x 1.0 Zn	66	1	809-202	Switch, Limit - Two Pole
28	1	112-145	SHSS 5/16 - 18 X 3/8	67	2	112-172/PI	SHMS, #5-40x3/4 Zn
29	1	113-11	O-Ring #AS568-216-70BN	68	2	112-173/PI	Locknut, #5-40 Zn
30	1	114-04	Washer, Shim 1.19x1.50x.04	69	1	108-85	Washer, Retaining Thrust
31	1	114-05	Washer, Shim 1.19x1.50x.02	70	1	112-171	FHSC 1/4-20 x 3/4 Gr2 Zn
32	1	34-101	Housing, Transmission - L	71	1	613-112	Wire Harness, Neutral Start
33	1	34-102	Housing, Transmission - R	72	1	161-28	O-Ring, 3mm CS x 12mm ID
34	1	34-127	Clutch, Dog				
35	1	34-130	Shaft, Input - 19/15T Spline				
36	1	34-128	Pinion, Helical - HI 12DP 26T				
37	1	34-129	Pinion, Helical - LO 12DP 20T				
38	1	34-107	Pinion, Reverse - 10DP 16T				
39	1	34-108	Gear, Idler - Rev - 10DP 16T				

# 2.0 Intake and Exhaust System 6x6 Frontier Parts Manual



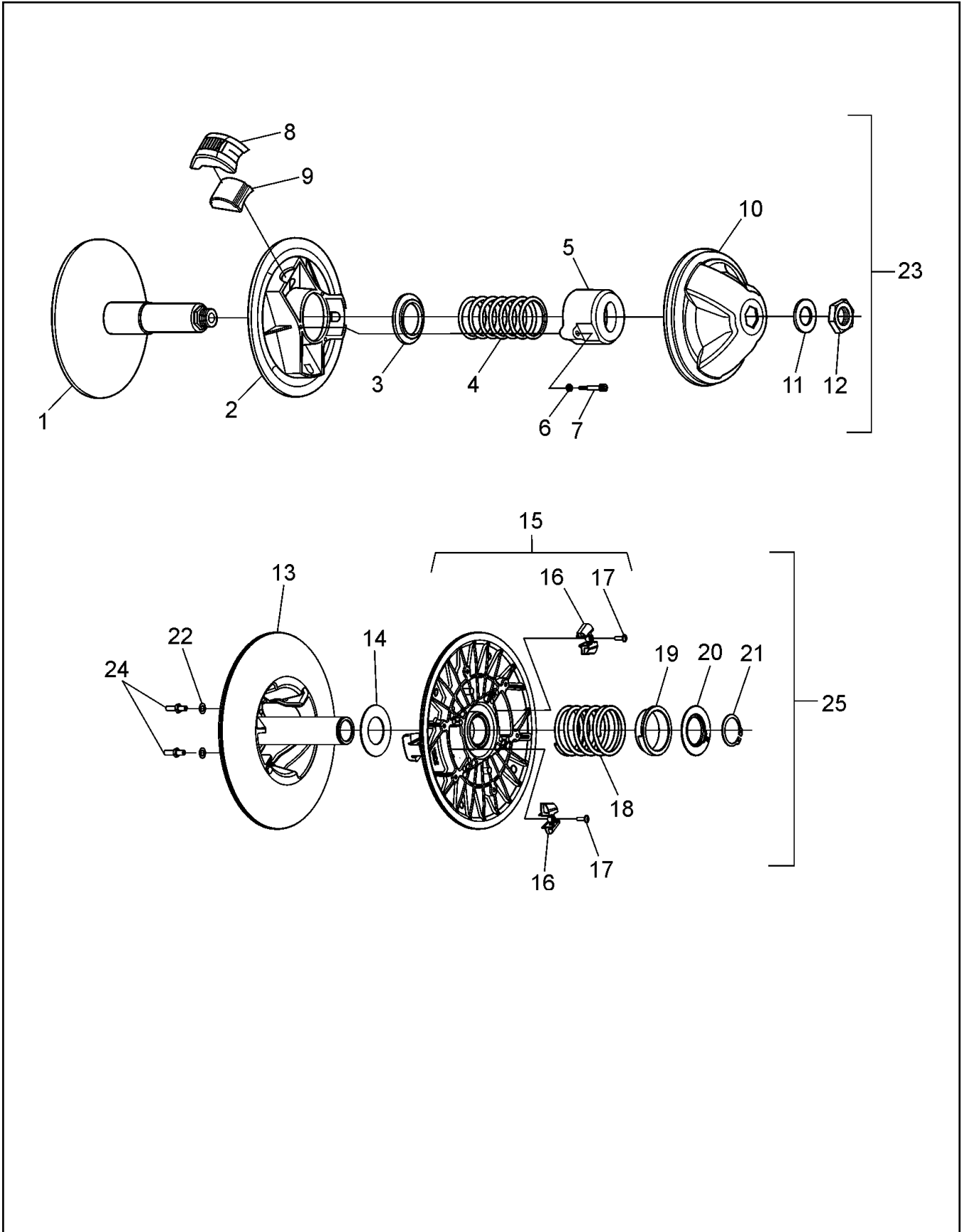
## 6x6 Frontier Parts Manual 2.0 Intake and Exhaust System

Ref.	Qty.	Part #	Description
1	1	809-07	Duct, Intake - Frontier
2	2	120-31	Rivet, 3/16 x 1/4". Open End
3	1	603-82	Seal, Argo Air Intake Duct - 580/650
4	1	809-08	Bracket, Intake Duct
5	4	108-02	Lockwasher 5/16 Hi-Collar Bare
6	4	112-30	SHCS M8 x 1,25 x 20mm Zn
7	4	120-04	Washer, .19 x .50 x .08 Zn
8	1	607-145	Muffler Ass'y, Briggs - 650
	1	807-140	Muffler Ass'y, B&S 18HP - 580
9	2	127-187	Spring, Extension - 17/32 x 3.75
10	1	607-135	Tube, Muffler, Flared x 2.0
11	1	607-169	Shield, Muffler Heat Frt (From Serial # 17037)
	1	607-123	Shield, Muffler Heat (Prior to Serial # 17037)
12	8	112-19	Screw, IHWH T/C Slot 1/4-20 x 1/2
13	1	607-164	Duct, Exhaust - Frontier (From Serial # 17037)
	1	607-129	Duct, Exhaust - Frontier (Prior to Serial # 17037)
14	1	607-171	Spark Arrestor, ODG
15	1	607-166	Pipe, Tail Ass'y - 650
	1	607-134	Pipe, Tail Ass'y - 580
16	2	806425	Gasket, Exhaust Manifold - 650
	2	805024	Gasket, Exhaust Manifold - 580
17	1	707-45	Support, Exhaust Duct
18	2	125-58	Washer, Fibre - W-77F
19	2	117-53	Nut, Jack 1/4-20 8L-JNS Zn
20	2	108-03	Lockwasher 1/4 Split Ring Zn
21	2	103-97	HHCS 1/4-20 x 1.25 Gr5 Zn
26	1	127-171	Adapter, 3" Hose*
27	4	120-11	Rivet, 5/32 x 9/16 Black*
28	1	127-184	Blower Fan*
29	1	100-102	Tie Wrap, 14" - White*
30	4	125-35	Clamp, Gear 3.50" HF-52*
31	1	127-139	Hose, Brake Fan Discharge
32	1	127-134	Duct, Brake Cooling*
33	1	118-02	Terminal, Male #76-1251*
34	1	118-03	Terminal, Female #76-1289*
35	1	127-140	Hose, Brake Fan Inlet*
36	4	120-09	Rivet, 3/16 x 1.0 Black*

\* If equipped

# 3.0 Clutch System

# 6x6 Frontier Parts Manual

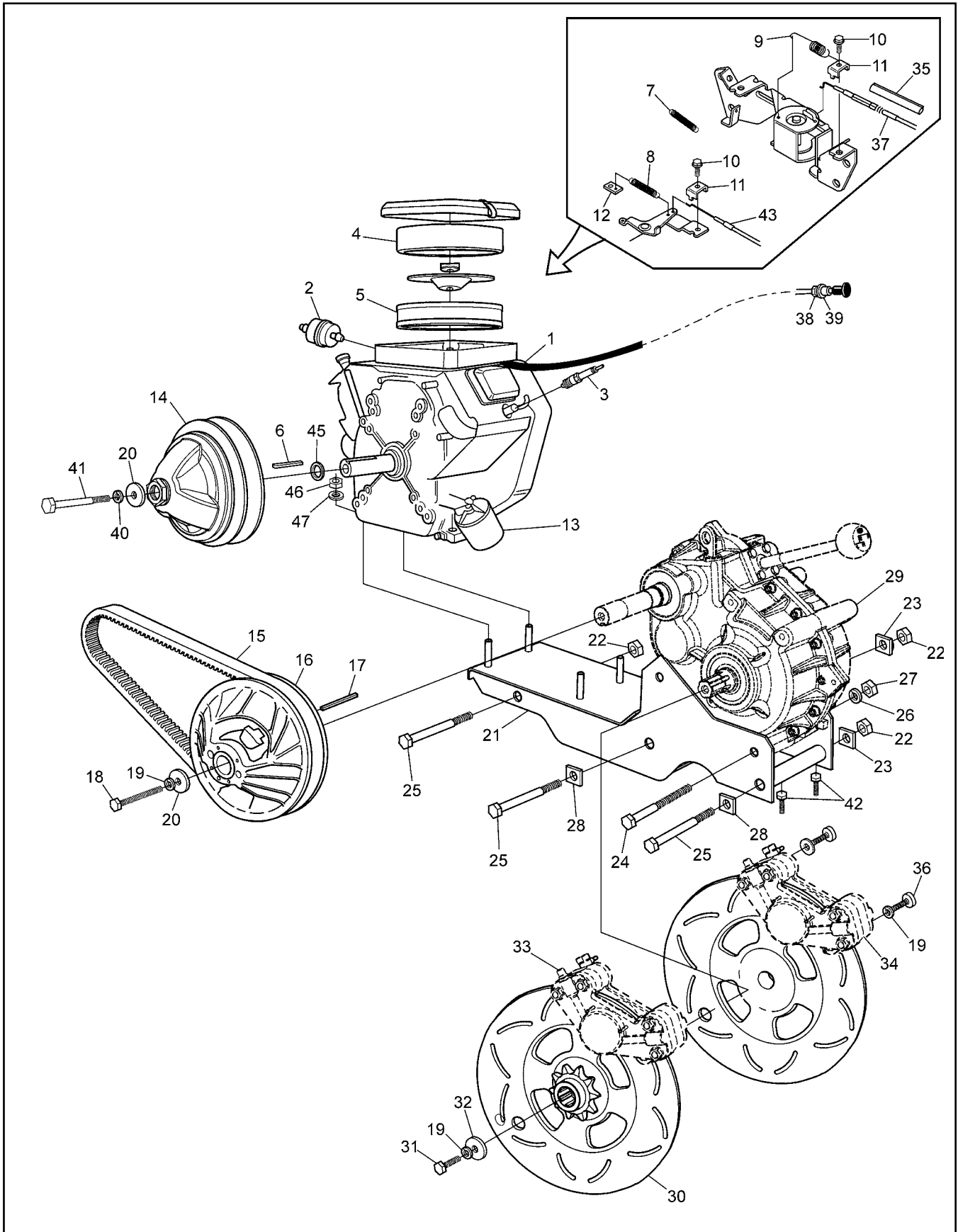




Ref.	Qty.	Part #	Description
1	1	0405-0105	Flange, Fixed - 6x6 Frontier 580
	1	0405-0075	Flange, Fixed - 6x6 Frontier 650
2	1	0410-0026	Flange, Sliding
3	1	0150-1014	Spring Guide Washer
4	1	0451-1114	Spring
5	1	0440-0005	Spring Cover
6	3	0080-0167	Lockwasher
7	3	0080-0021	Screw, Cap
8	3	0130-3012	Block
9	3	0135-3063	Weight (250gr) - 6x6 Frontier 580
	3	0135-3065	Weight (275gr) - 6x6 Frontier 650
	1	127-208	Weight Set (3), 185g - High Elevation
	1	127-209	Weight Set (3), 220g - High Elevation
	1	127-210	Weight Set (3), 240g - High Elevation
10	1	0115-0047	Cap
11	1	0080-0153	Washer, Zn
12	1	0080-0100	Nut
13	1	5905-0003	Flange, Fixed
14	1	0080-0164	Washer, Shim
15	1	5910-0002	Flange, Sliding
16	3	5930-3001	Cam Shoe
17	2	0080-0031	Screw
18	1	5951-1009	Spring
19	1	5950-3003	Spring Protector
20	1	5950-3002	Spring Support
21	1	0080-0216	Retaining Ring, Outside
22	2	0080-0167	Lockwasher
23	1	127-163	Clutch, Driver - 6x6 Frontier 580
	1	127-135	Clutch, Driver - 6x6 Frontier 650
24	2	0080-0035	Screw & Nut Ass'y
25	1	127-156	Clutch, Driven - INVANCE

# 4.0 Power Pack Assembly

# 6x6 Frontier Parts Manual



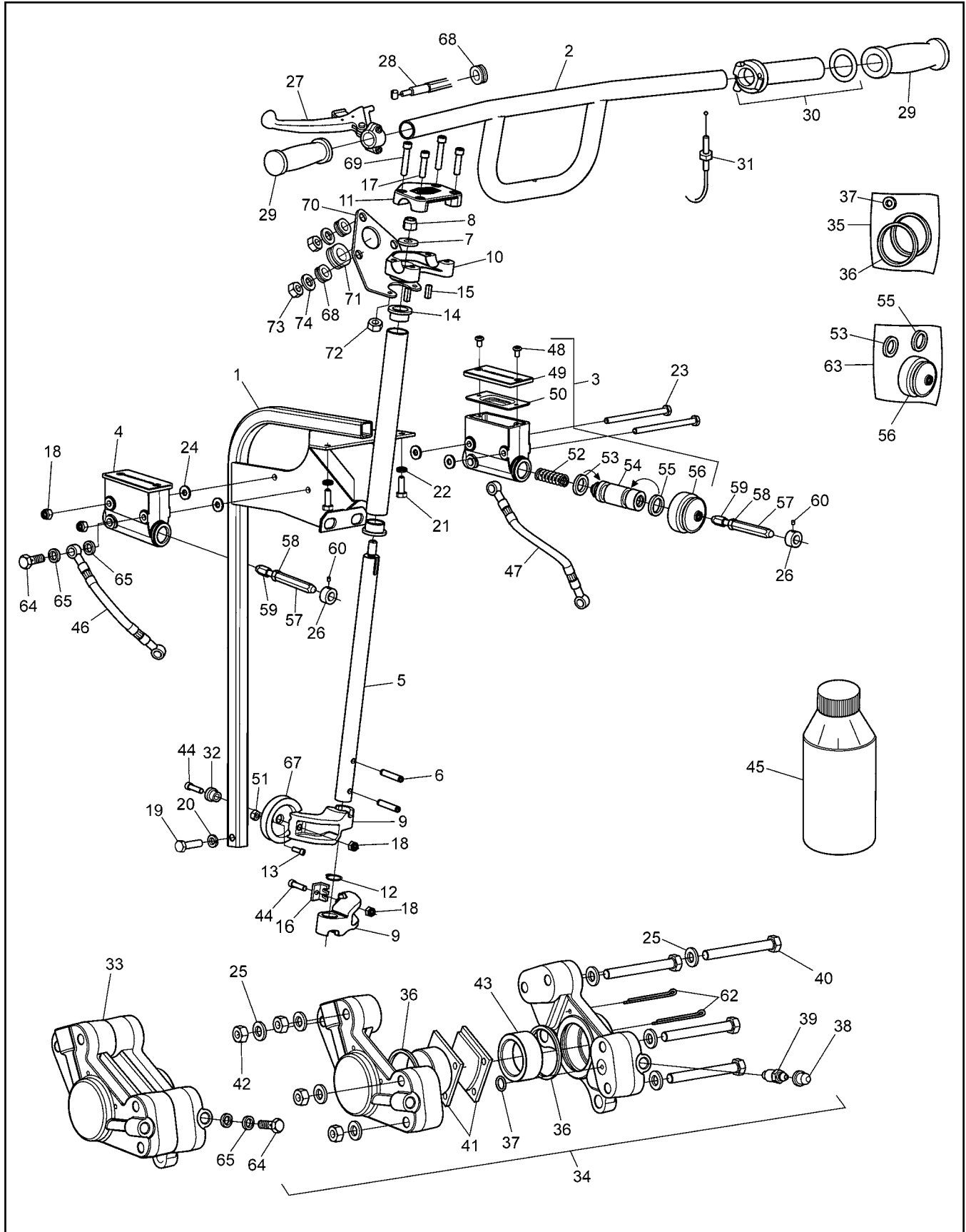
## 6x6 Frontier Parts Manual

## 4.0 Power Pack Assembly

Ref.	Qty.	Part #	Description	Ref.	Qty.	Part #	Description
1	1	128-31	Engine - B&S 18HP, 20/50 amp incl. Ref. 2-13 B&S #356447-0165-E1	29			<b>See Section 1.0 Transmission</b>
		128-32	Engine - B&S 23HP, 20/50 amp incl. Ref. 2-13 B&S #386447-0144-E1	30	2	606-74	Disc, Brake-Splined #60-10T
2	1	125-64	Fuel Filter, G81-4	31	2	103-18	HHCS 3/8-24 x 1.25 Gr5 Zn
3	2	127-193	Sparkplug RC14YC	32	2	108-18	Washer .40 x 1.37 x .12 Zn
4	1	692520	Element, Foam - 23HP	33			<b>See Section 5.0 Steering &amp; Brake System</b>
	1	272490S	Element, Foam - 18HP	34			<b>See Section 5.0 Steering &amp; Brake System</b>
5	1	692519	Filter, Air - 23HP	35	1	607-172	Sleeve, Thermo Protect 1/2" ID
	1	394018S	Filter, Air - 18HP	36	4	103-41	SHCS 3/8-16 x 1.25 Zn
6	1	110-18	Key 1/4 x 1/4 x 1.75 RC45	37	1	612-101	Cable Asm, Throttle
7	1	805458	Spring	38	2	117-68	Nut, Jam 3/8-24 UNF Zn
8	1	125-88	Spring, Return	39	1	108-32	Lockwasher 3/8 Int. Tooth
9	1	127-49	Spring, Return	40	1	108-06	Lockwasher 3/8 Split Ring Zn - 580
10	2	805169	Screw-Hex Head (Briggs #)	41	1	112-28	HHCS, 3/8-24 x 4.5" Lg - 580
11	2	221535	Clamp - Casing (Briggs #)	1	1	112-160	HHCS, 7/16-20 x 5" Lg - 650
12	1	601-86	Clip, Retainer	42	2	103-53	HHCS 3/8-16 x 3.0 Full Thread
13	1	126-95	Filter, Oil	43	1	612-130	Cable Asm, Choke
14			<b>See Section 3.0 Clutch System</b>	45	1	108-84	Washer, Engine, Clutch 650
15	1	127-159	Drive Belt - Frontier - 11.3" Cen. Dist	1	1	108-87	Washer, Engine, Clutch, 1.00 - 580
	1	127-159HD	Drive Belt -Frontier -Heavy Duty (Opt.)	46	4	117-21	Locknut, Nylon 5/16-18 Zn
16			<b>See Section 3.0 Clutch System</b>	47	4	108-24	Washer .34 x 1.00 x .06 Zn
17	1	110-03	Key 1/4 x 3/16 x 2.375 RC46				
18	1	112-164	HHCS 3/8-16 x 3.50 Gr5 Zn				
19	7	108-06	Lockwasher 3/8 Split Ring Zn				
20	2	108-46	Washer .40 x 1.37 x 1.2 Hi- Carbon - 580				
	1	108-58	Washer .47 x 1.37 x .12 Hi- Carbon - 650				
21	1	604-118	Frame Ass'y - Power Pack				
22	3	117-83	Locknut, Stover 5/8-11 Zn				
23	2	811-09	Washer, Square - .64 ID				
24	2	103-20	HHCS 1/2-13 x 6.5 Gr5 Zn				
25	3	112-58	HHCS 5/8-11 x 7.5 Gr5 Zn				
26	2	108-07	Lockwasher 1/2 Split Ring Zn				
27	2	117-06	Nut, Fin Hex 1/2-13 Zn				
28	2	811-15	Washer, Square Lock .64 ID				

# 5.0 Steering & Brake System

# 6x6 Frontier Parts Manual



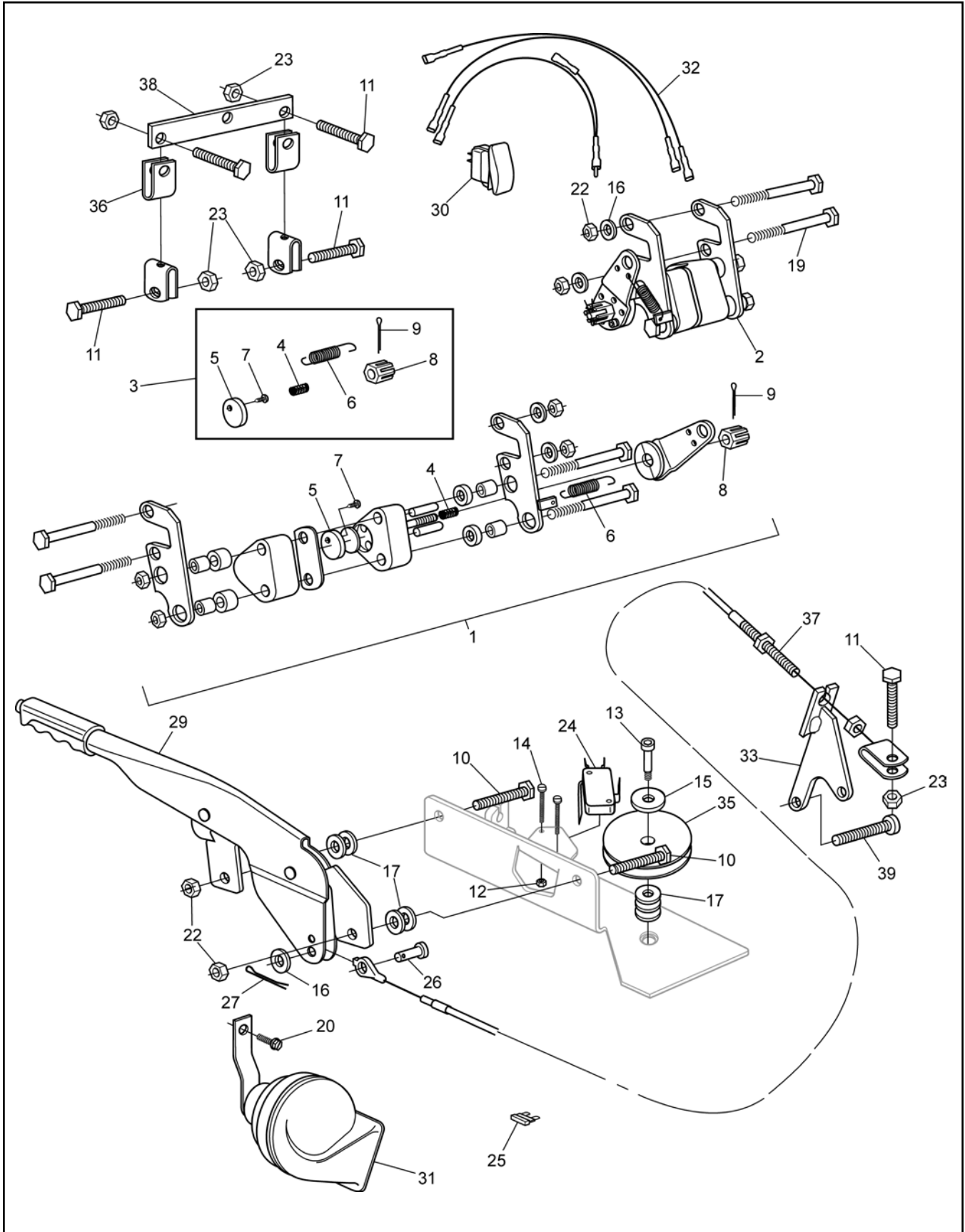
## 6x6 Frontier Parts Manual

## 5.0 Steering & Brake System

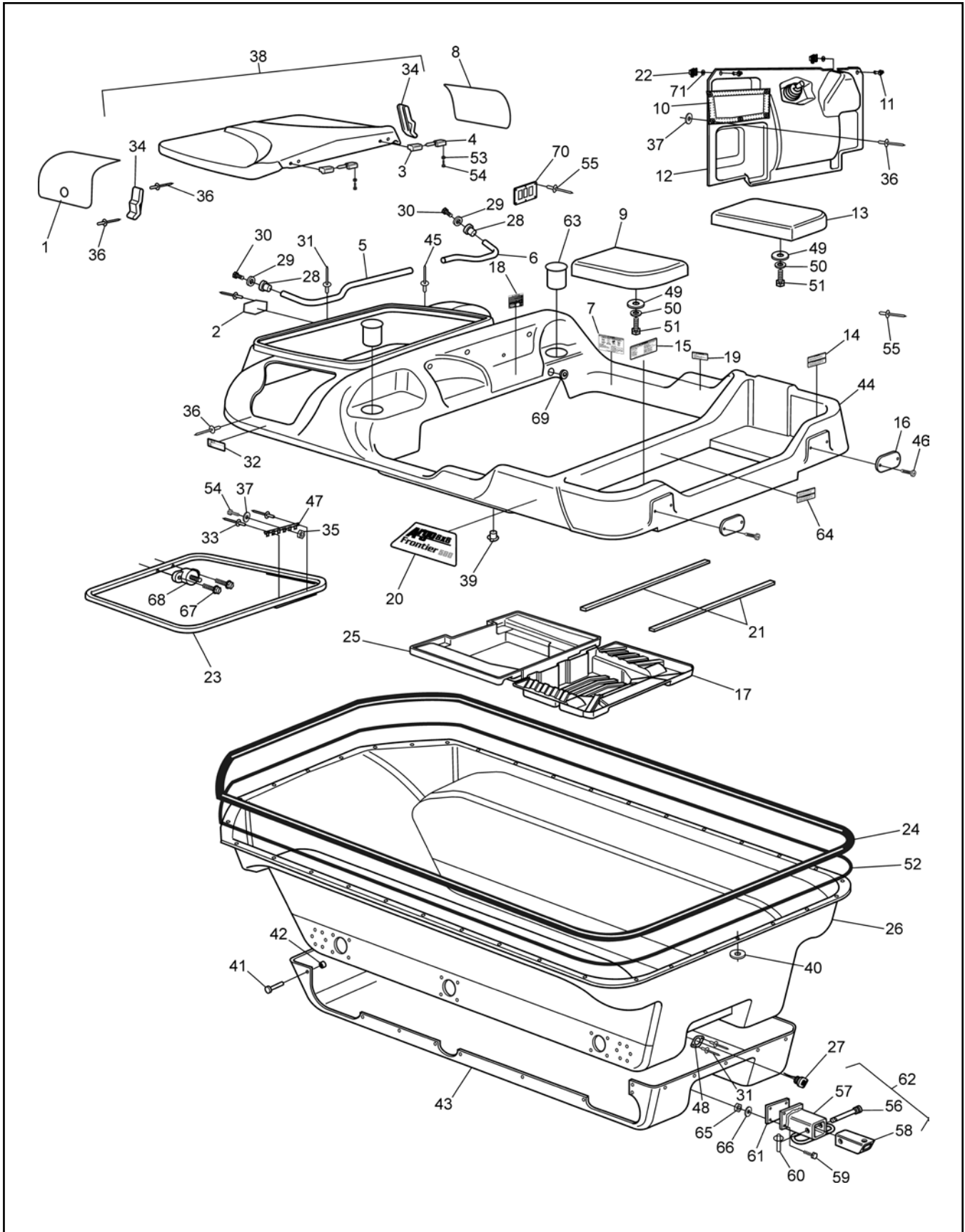
Ref.	Qty.	Part #	Description	Ref.	Qty.	Part #	Description
1	1	612-129	Frame Assembly, Steering Column	44	2	112-159	BHCS, 1/4-20 x 1.0, Plated
2	1	612-107	Handlebar Assembly	45		126-19	Fluid, Brake-Silicon Dot 5 - .35L
3	1	165-08	Master Cylinder, Grimeca - R	46	1	163-05	Hose Asm, Hydraulic - Left
4	1	165-07	Master Cylinder, Grimeca - L	47	1	163-06	Hose Asm, Hydraulic - Right - SS
5	1	612-127	Shaft, Steering - Argo	48	2x2	160-42	Screw, FHMS M5 x 0,8 x 6mm
6	2	104-42	Pin, Spring 1/4 x 1.5"	49	2x1	168-08	Cover
7	1	108-47	Washer, .39 x .94 x .13 Zn Di-chr	50	2x1	168-09	Cover, Rubber
8	1	117-29	Locknut, Nylon 3/8-16 Zn	51	1	117-10	Locknut, 10-24 N/I Zn
9	2	612-124	Arm, Steering	52	2x1	162-08	Spring, Comp. 17.3 x 49.3mm
10	1	612-106	Clamp, Lower Handlebar	53	2x1		Seal, Primary, 19mm (See Ref. 63)
11	1	612-105	Clamp, Upper Handlebar	54	2x1	168-10	Piston 19mm dia.
12	1	106-07	Ring, Retaining SH-0075PA	55	2x1		Seal, Secondary, 19mm (See Ref. 63)
13	1	160-46	SHCS, #10-24 x 3/8"	56	2x1		Boot, Rubber (See Ref. 63)
14	2	105-16	Bushing, Oilite - 3/4 x 1/2	57	2	812-30	Pin, Female
15	2	110-17	Key, 3/16 x 3/16 x .625	58	2	117-03	Nut, Fin Hex 1/4-20 Zn
16	1	128-24	Retainer, Handbrake Cable	59	2	812-31	Fin, Male
17	2	112-47	SHCS, 1/4-20 x 1.0 Zn	60	2	112-02	SHSS 10-24x1/4 Knurl Cup PT, PL
18	4	117-27	Locknut, Nylon 1/4-20 Zn	62	2x2	168-07	Pin, Cotter 1/8 x 3.00 Zn
19	1	103-38	HHCS 5/16-18 x 1.25 Gr5 Zn	63	2x1	161-25	O-Ring Kit - Master Cylinder - Grimeca (incl. Ref. 53, 55 & 56)
20	1	108-05	Lockwasher 5/16 Split-Ring Zn	64	4	160-44	Bolt, Banjo - M10 x 1,0 x 21,0
21	2	112-04	HHCS 1/4-20 x 3/4 Gr2 Zn	65	13	160-01	Washer, Copper - 1,5 x 10,0 x 14,0
22	2	108-03	Lockwasher 1/4 Split Ring Zn	67	1	165-18	Pulley, Handbrake Cable
23	2	103-66	HHCS, 1/4-20 x 4.0 Gr5 Zn	68	4	125-84	Grommet, Rubber
24	4	108-08	Washer, .28 x .62 x .04 Zn	69	2	103-69	SHCS 1/4-20 x 1.5 Zn
25	2x8	108-24	Washer, .34 x .70 x .06 Zn	70	1	612-132	Bracket, LCD Gauge - Painted
26	2	812-17	Collar	71	1	128-27	Grommet 1-1/4ID x 1-1/2x3/32
27	1	128-17	Lever Assembly, Handbrake, Spring	72	2	117-86	Nut, Acorn, 1/4-20 Zn
28	1	128-21	Cable Assembly, Handbrake	73	3	117-85	Nut, Acorn, M5 Zn
29	2	127-35	Grip, Molded	74	3	120-04	Washer .19 x .50 x.08 Zn
30	1	127-81	Throttle Twist Grip				
31	1	612-101	Cable Asm., Throttle - Frontier				
32	1	105-25	Bushing, Flange Oilite FF-310				
33	1	166-10	Caliper, Hydraulic Brake - L w/o pads				
34	1	166-11	Caliper, Hydraulic Brake - R w/o pads				
35	2	161-05	O-ring Kit, Knott Caliper				
36	2		Seal, Piston				
37	2		Seal, Rubber				
38	2x1	168-20	Plug, Rubber				
39	2x1	168-02	Screw, Bleeding, Knott Caliper				
40	2x4	112-154	SHCS, 5/16-18 x 2.75 Zn				
41	1	170-03	Pad Set (4), Brake - Non-Asbestos				
42	2x4	117-03	Nut, Fin Hex 5/16-18 Zn				
43	2x2	168-01	Piston, Knott Caliper				

# 6.0 Parking Brake

# 6x6 Frontier Parts Manual



Ref.	Qty.	Part #	Description
1	1	850-96	Caliper Ass'y, LH, Parking Brake
2	1	850-97	Caliper Ass'y, RH, Parking Brake
3	1	850-98	Kit, Service, Parking Brake (includes Ref. 4 - 9, not sold separately)
4	1		Cam Tension Spring (compression)
5	1		Left & Right Brake Pads
6	1		Cam Arm Spring (tension)
7	1		Brake Pad Retaining Screw
8	1		Castle Nut
9	1		Cotter Pin
10	2	103-06	HHCS 5/16-18x1.0 Gr5 Zn
11	5	103-08	HHCS 1/4-20x1.0 Zn
12	2	112-173	Locknut, #5-40, Zn
13	1	112-178	Bolt, Shoulder, 1/2 x 5/8
14	2	112-172	SHCS 5-40 x 3/4 Zn
15	1	108-35	Washer .53 x 1.06 x .09 Zn
16	5	108-24	Washer .34x.70x.06 Zn
17	7	108-47	Washer .39x.94x.13 Zn Di-Chro
18	1	117-10	Locknut, 10-24 N/I Zn
19	4	112-132	HHCS 5/16-18 x 3.25 Gr5 Zn
20	1	112-19	Screw,IHWH T/C Slot 1/4-20x1/2*
22	6	117-21	Locknut, Nylon 5/16-18 Zn
23	5	117-27	Locknut, Nylon 1/4-20 Zn
24	1	613-120	Switch, Micro, Lever
25	1	118-52	Fuse, 10A 2-Prong (AT010)*
26	1	104-27	Pin, Clevis 5/16x.75" Zn
27	1	100-100	Pin, Cotter 1/8x3/4 Zn
29	1	809-147	Lever, Parking Brake
30	1	848-175	Switch, Horn, Momentary*
31	1	848-87	Horn, Electric*
32	1	848-176	Harness, Horn, Momentary*
33	1	850-72	Bracket Asm, Parking/Brake
35	1	850-79	Pulley, Parking Brake Cable
36	2	850-80	Cable, Parking Brake Equalizer
37	1	850-81	Cable, Parking Brake
38	1	850-82	Flat Bar, Equalizer
39	1	112-143/PI	SHCS 5/16x1.25 Zn
			*If equipped

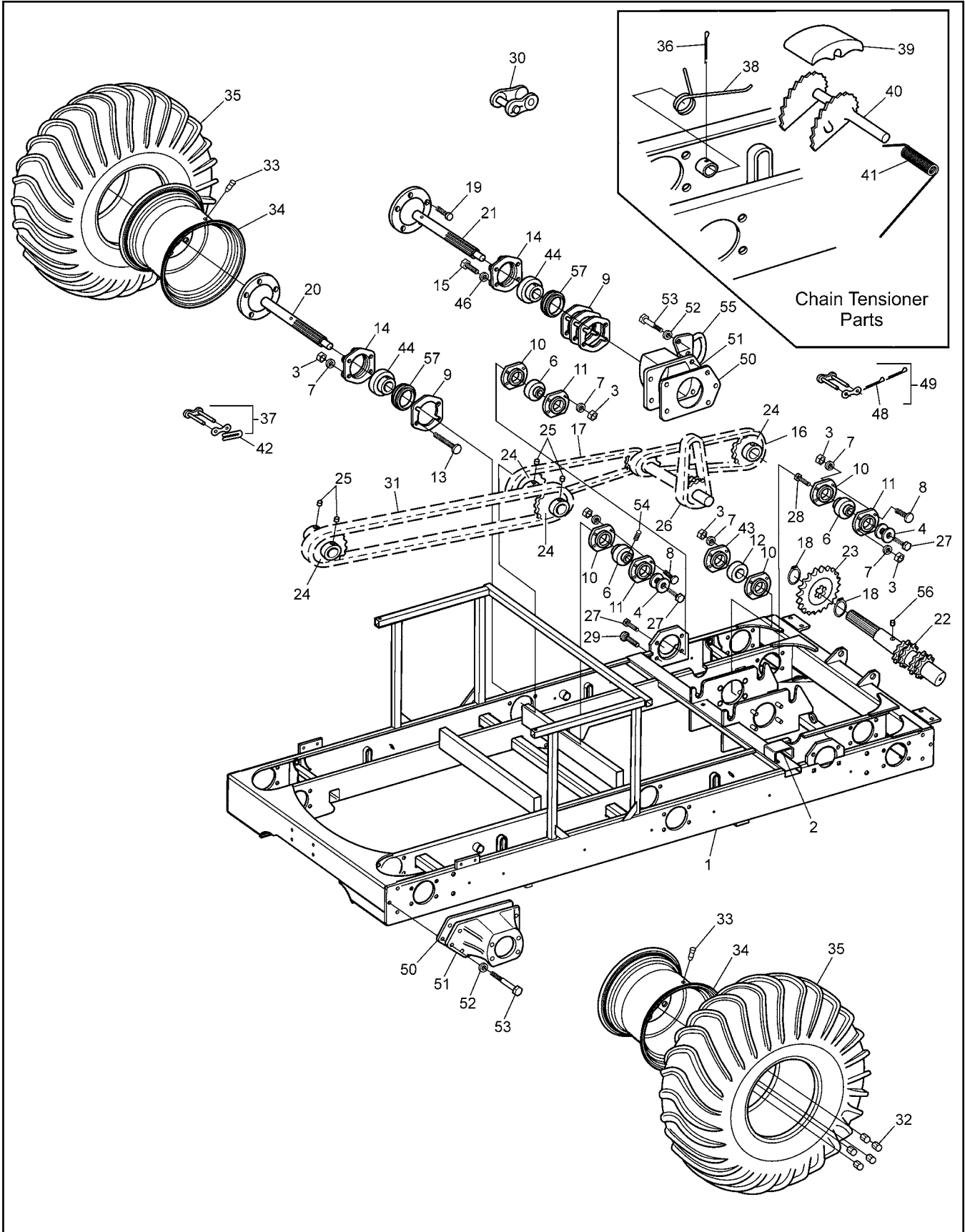




## 6x6 Frontier Parts Manual

## 7.0 Vehicle Body & Firewall

Ref.	Qty.	Part #	Description	Ref.	Qty.	Part #	Description
1	1	707-43	Screen - Exhaust	39	2	117-44	T- Nut 1/4-20 Zn
2	1	601-44	Nameplate, "Argo"	40	84	120-04	Washer .19 x .50 x .08 Zn
3	2	127-45B	Knuckle, Hinge	41	26	120-27	Pin, Magna Grip (if equipped)
4	2	127-45A	Pin, Hinge	42	26	120-28	Collar, Magna Grip (if equipped)
5	1	601-103	Tube, Dash Handle, Pass.Side	43	1	603-98	Skid Plate, 6x6 - Black (if equipped)
6	1	601-104	Tube, Dash Handle, Driver Side	44	1	601-105	Body & Hood, Upper - Frontier (spec. colour) (incl. 23, 33, 38)
7	1	126-68	Plate, Operation	45	109	120-09	Rivet 3/16 x 1 - Black
8	1	707-42	Screen, Intake	46	4	103-48	T/S Pan HD PHIL #10 x 5/8
9	1	601-03	Seat, Rear - Left - 6x6 - Black	47	1	613-37	Terminal Strip, Ground
10	1	100-108	Mesh, Glove Box	48	2	100-114	Gasket, Drain Plug
11	2	112-199	Stud, Q-Turn - Long	49	2	603-15	Washer, Plastic 5/16 Hole
12	1	803-68	Firewall	50	2	108-01	Washer, Fender 1/4 BS x 1.25 OD
13	1	601-02	Seat, Rear - Right - 6x6 - Black	51	2	103-08	HHCS 1/4-20 x 1.0 Zn
14	1	126-67	Plate, Floor Pan	52	1	126-60	Vinyl Strip, 1/2" x 1/4" x 37.5'
15	1	127-173	Plate, Vehicle Capacity	53	8	108-59	Lockwasher #10 Int. Tooth Zn
16	2	127-01	Reflector, Red	54	9	103-47	HHCS 10-24 x 1/2
17	1	803-61	Floor Pan, Rear - Frontier	55	44	120-24	Rivet, 3/32 x 3/8 Alum. (all plates)
18	1	127-141	Label, Caution - Keyswitch	56	1	104-13	Pin, Toplink - 3/4 x 2.75
19	1	126-69	Plate, Fuel	57	1	616-16	Hitch Assembly
20	2	127-170	Nameplate - 6x6 Frontier 650	58	1	616-19	Tube, Hitch
	2	127-169	Nameplate - 6x6 Frontier 580	59	4	103-61	HHCS 3/8-24 x 1.5 Gr5 Zn
21	2	601-106	Trim, Vinyl - 30" Black	60	1	104-11	Pin, Lynch - Ring
22	2	117-91	Receptacle, Q-Turn	61	1	616-20	Gasket, Rear Hitch
23	1	602-53	Frame Ass'y, Hood - Front	62	1	626-10	Hitch Kit (Opt. on Frontier 580)
24	1	601-05	Bumper, Vinyl - 6x6	63	2	100-109	Cup Holder Insert
25	1	803-59	Floor Pan, Front	64	1	127-51	Plate, Capacity 6x6
26	1	603-99	Body, Lower - Frontier	65	4	117-24	Locknut, Nylon 3/8-24 Zn
27	2	100-107	Plug, Drain - Flanged	66	4	108-15	Washer .42 x .81 x .05 Zn
28	2	113-12	Insert, 1/2-13	67	2	112-51	Screw, IHWH T/C #10-24x5/8
29	2	108-35	Washer .53 x 1.06 x .09 Zn	68	1	613-123	Post, Power, 5/16-18, Red
30	2	112-151	HHCS 1/2-13 x 1" Gr2 Zn	69	1	128-26	Grommet, 1-1/2ID x 1-3/4x1/4
31	17	120-13	Rivet, 3/16 x 3/4 Black	70	1	127-150	Plate, Switch Mounting -3 Hole
32	1	127-144	Label, Warning - HOT	71	2	114-24	Retainer, Q-Turn Washer
33	2	120-15	Rivet - 1/8 x 7/16				
34	2	602-56	Latch, Hood - Soft Draw				
35	1	117-10	Locknut, 10-24 N/I Zn				
36	25	120-11	Rivet 5/32 x 9/16 - Black				
37	6	120-05	Washer, .19 x .50 x .04 Zn				
38	1	602-57	Hood Kit - Frontier (spec. colour) (incl. 3, 4, 34, 36, 53, 54)				

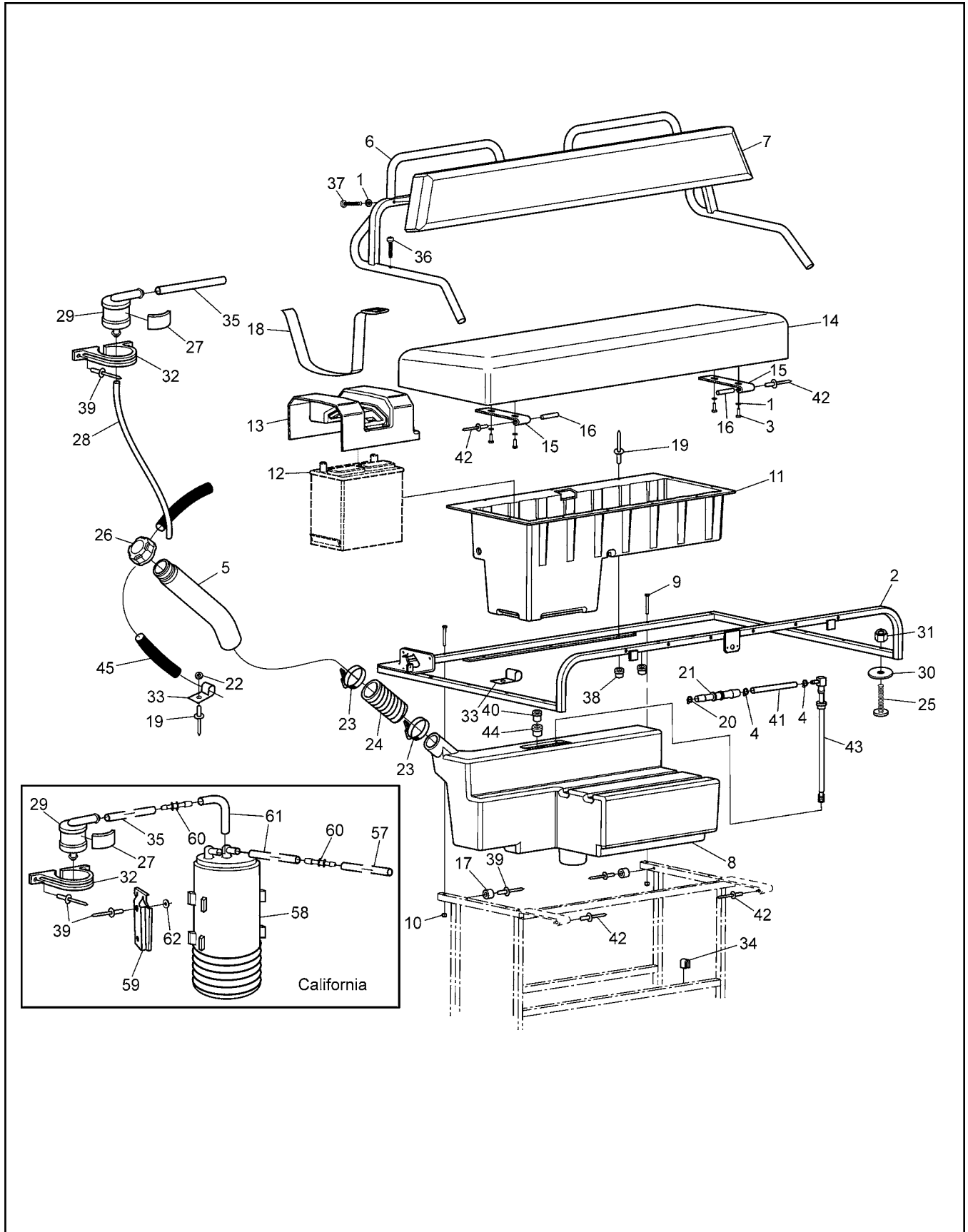


## 6x6 Frontier Parts Manual

## 8.0 Frame and Drive System

Ref.	Qty.	Part #	Description	Ref.	Qty.	Part #	Description
1	1	604-100	Frame Asm - Frontier	36	4	100-01	Pin, Cotter 1/8 x 1.50 Zn
2	2	606-43	Slide, Chain - 2-3/4"	37	1x6	603-84	Con. Link, RC60-1 H.D.
3	46	117-29	Locknut, Nylon 3/8-16 Zn	38	4	127-65	Spring Torsion - 1.16x0.35
4	12	108-46	Washer .40 x 1.37 x .12 Hi-Carbon	39	4	606-44	Slider Block
6	8	101-41	Bearing, Ball - 1.0	40	4	606-82	Tensioner Asm, Chain
7	64	108-15	Washer, .42 x .81 x .05 Zn	41	4	127-64	Spring, Torsion - .76 x 1.9
8	23	103-88	C/Bolt 3/8-16 x 1.0 Gr5 Zn	42	6	603-96	Spring Clip - RC 60 Closed
9	12	606-90	Gasket, Flange - 72mm	43	2	606-93	Flange, Greaseable - 90 Deg
10	10	606-91	Flange - 4 Hole Hd	44	6	101-95	Bearing, Ball -1.25 x 72mm
11	8	606-92	Flange, Greasable - 4 Hole Hd	46	12	108-06	Lockwasher 3/8 Split-RingZn
12	2	101-96	Bearing, Ball - 1.25x1.5 No Grv	48	4	104-35	Pin, Cotter 2mm x 12mm
13	24	112-187	C-Bolt 3/8-16x2.0 Gr5 Zn	49	2	127-188	Link, Con. #60 Lambda
14	6	606-88	Flange Ass'y, Outer Bearing	50	4	606-25	Gasket - Bearing Extension (if equipped)
15	16	103-68	HHCS 3/8-16 x 2.0 Gr5 Zn	51	4	810-112	Bearing Extension w/nuts (if equipped)
16	2	606-45	Chain, RC60 - 1 x 42P (incl. Ref. 37)	52	20	108-34	Washer .47 x .94 x .06 Zn
17	2	606-46	Chain, RC60 - 1 x 64P (incl. Ref. 37)	53	20	112-181	HHCS 7/16-20 x 1.5 Gr5 Zn
18	4	107-10	Retaining Ring SH-0125-PA	54	2	112-60	SHSS 1/4-28 x 1/2 Cup Pt.
19	5x6	112-183	Stud, Wheel 7/16-20 x 1.5	55	2	642-47	Tie Down Bracket
20	2/6	810-113	Axle Ass'y - Mid HD	56	1	613-127	Magnet, Speedometer
21	4	810-92	Axle Ass'y - Front/Rear HD (650 only)	57	6	606-89	Carrier, Axle Bearing
22	2	606-78	Shaft, Idler - 10T #60 Weldment				
23	2	606-81	Sprocket, Idler S60 x 20T				
24	8	606-34	Sprocket, S60 x 19T				
25	6	112-03	SHSS 5/16-18 x 3/8 1/2 DOG, PL				
26	2	803-62	Chain, RC60-1 x 34P Idler, Lambda				
27	10	112-31	HHCS 3/8-16 x 1.0 2B Gr8 Zn				
28	1	103-82	HHCS 3/8-16 x 1.5 Gr5 Zn				
29	4	112-61	C/Bolt 3/8-16 x 1.25 Gr5 Zn				
30		127-80	Link, Half - RC60 - 1 (opt.)				
31	2	606-47	Chain, RC60-1 x 96P (incl. Ref. 37)				
32	5x6	117-35	Nut, Wheel 7/16-20 Zn				
33	6	125-26	Valve, Tire				
34	6	125-13BL	Rim - 8x7, 5 Bolt - Black				
35	6	127-158	Tire, Argo 24 x 10-8				

# 9.0 Fuel System & Seat Assembly 6x6 Frontier Parts Manual

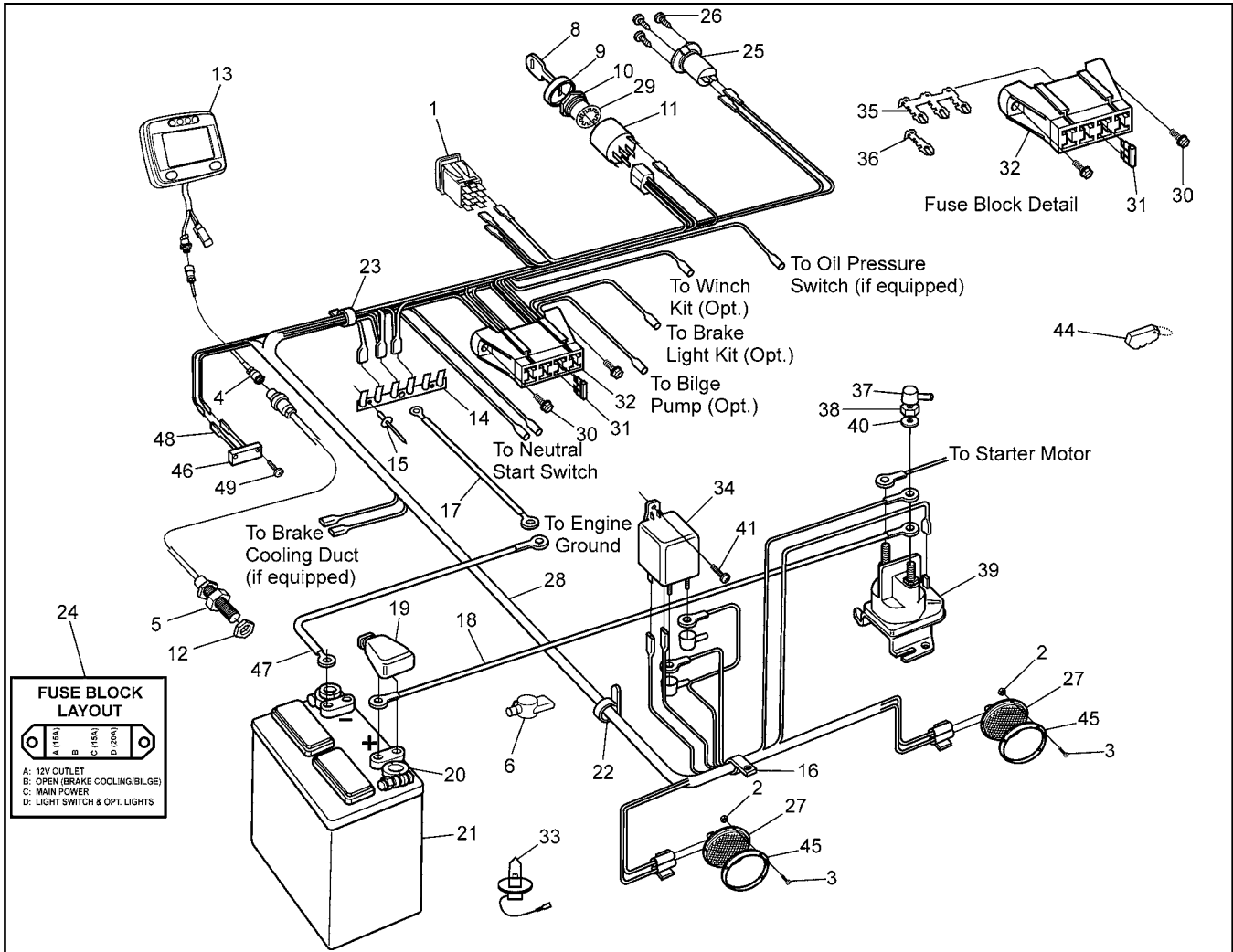


# 6x6 Frontier Parts Manual 9.0 Fuel System & Seat Assembly

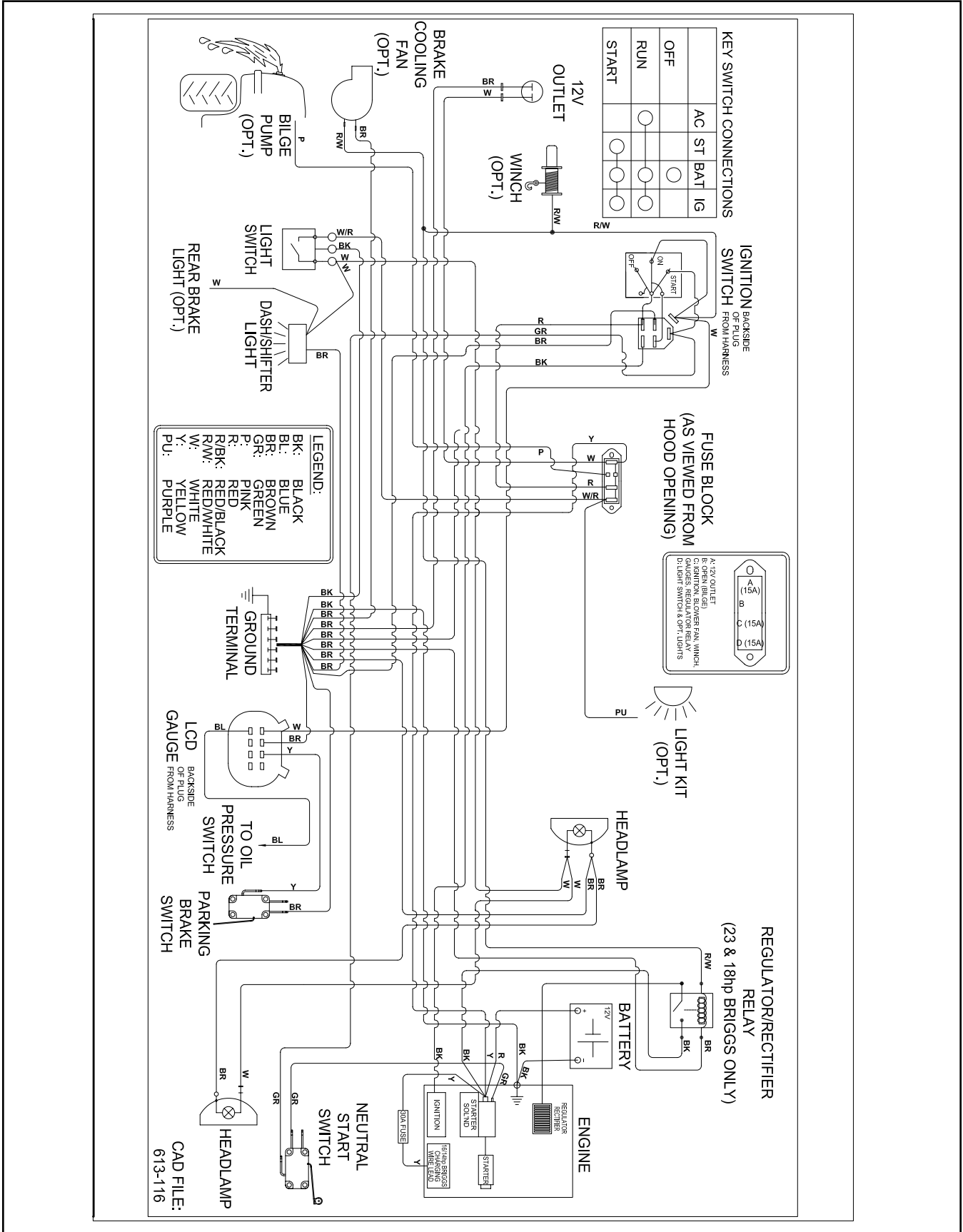
Ref.	Qty.	Part #	Description	Ref.	Qty.	Part #	Description
1	8	108-03	Lockwasher 1/4 Split Ring Zn				
2	1	608-74	Frame Assembly, Seat	8	1	608-120	<b>United States Vehicle Kit</b> Tank, Fuel Low Permeation
3	4	112-04	HHCS 1/4-20x3/4 Gr2 Zn	1	1	127-273	Plate, Serial Blank Double
4	2	112-78	Clamp, Hose, 9/16	1	1	127-274	Label, U.S EPA EVAP
5	1	608-140	Fuel, Fill Neck Assembly				Approval
6	1	608-76	Frame Assembly, Backrest	46	2	120-24	Rivet, Alum - 3/32 x 3/8
7	1	608-39	Back Pad Assembly				Black
8	1	608-122	Tank, Fuel Single Layer				<b>California Vehicle Kit</b>
	1	608-120	Tank, Fuel Low Permeation (for U.S.)	8	1	608-120	Tank, Fuel Low Permeation
9	2	103-77	HHCS, 1/4-28 x 2.0	1	1	127-273	Plate, Serial Blank Double
10	2	117-01	Locknut, Nylon 1/4-28 Zn	1	1	127-274	Label, U.S EPA EVAP
11	1	608-54	Toolbox				Approval
12	1	127-54	<b>See Section 10.0 Electrical System</b>	39	2	120-13	Rivet - 3/16 x 3/4 Black
13	1	608-55	Cover, Battery	56	4	120-24	Rivet, Alum - 3/32 x 3/8
14	1	608-88	Seat Assembly, Bench - Thick				Black
15	2	608-81	Hinge, Seat, Bolted	1	1	127-275	Label, Carb EVAP
16	2	104-43	Pin, 3/16" x 1-1/8"				Approval
17	2	126-102	Bumper, Recessed Hole	57	1	126-101RM	Hose, Vent 3/16" ID
18	1	608-56	Strap, Battery	58	1	609-45	Carbon Canister 800cc
19	17	120-09	Rivet 3/16x1 - Black	59	1	609-46	Bracket, Carbon Canister
20	4	112-79	Clamp, Hose, 1/2" Black	60	2	609-48	Reducer, Barbed 1/4" to
21	1	808-133	Reducer, 5/16" to 1/4" Barbed				3/16"
22	8	120-04	Washer .19 x .50 x .08 Zn	61	2	127-160-3	Hose, 1/4ID x 3/8OD - 3"
23	2	100-12	Clamp, Gear 2.25" HF-36				Long
24	1	125-94	Hose, Filler	62	2	120-05	Washer .19x.50x.04 Zn
25	10	112-07	RHMS 10-24 x 1.50 Zn				
26	1	126-100	Fuel Cap, Tethered				
27	1	126-60	Vinyl Strip 1/2" x 1/4"				
28	6'	127-160RM	Tubing, 1/4 ID Clear Plastic				
29	1	609-47	Valve, Rollover				
30	10	108-42	Washer .21 x 1.0x.06 Zn				
31	14	117-10	Locknut, Nylon #10-24 Zn				
32	1	609-50	Clamp, Rollover Valve				
33	9	126-93	Clamp, Nylon Wire - 1/2" ID				
34	2	702-06	Foam Cushion				
35	2	126-101RM	Hose, Vent 3/16" ID				
36	2	112-41	PHMS, Phil 1/4-20 x 1.25 Zn				
37	4	103-03	PHMS, Phil 1/4-20 x 1.50 Zn				
38	2	117-64	Insert, 1/4-20 Steel Cad Pltg.				
39	4	120-13	Rivet, 3/16 x 3/4 Black				
40	1	608-137	Plug, Push-In				
41	2"	608-69RM	Hose, Fuel - 5/16" ID Carb				
42	4	120-31	Rivet, 3/16" x 1/4, Open End				
43	1	608-127	Pick-up, Fuel, 5/16 105 Mesh				
44	1	608-136	Grommet, Fuel Return				
45	1	608-66	Hose, Fuel 1/4" ID, 80"				

# 10.0 Electrical System

# 6x6 Frontier Parts Manual



Ref.	Qty.	Part #	Description	Ref.	Qty.	Part #	Description
1	1	613-153	Switch, Light	25	1	613-90	Outlet, 12 V DC *
2	8	117-93	Nut, Speed #10	26	3	112-139	#4 Phil Drive Oval Head Screw, Blk
3	8	112-198	T/S Pan Hd Phil #10 x 1.25 Blk.	27	2	613-159	Headlight - 3.75W
4	1	613-128	Cable, Extension, Speedo Pickup	28	1	613-116	Wire Harness
5	1	613-126	Sensor, Speedo Pickup	29	1	114-26	Lockwasher, 5/8 Int. Tooth
6	1	613-124	Insulator, 2 Way w/cap, Red	30	2	112-51	Screw, IHWH T/C #10-24x5/8
7	1	118-30	Terminal, Eye - #10	31	3	118-49	Fuse, 15 A 2-prong (AT015)
8	2	127-108	Key, Molded	32	1	118-60	Block Fuse - 8 position (4 fuse)
9	1	127-107	Cover, Nut	33	2	127-46	Bulb, Headlight - Halogen
10	1	127-106	Nut, Flanged - Plastic	34	1	613-98	Relay, 80 Amp (if equipped)
11	1	127-105	Switch - Ignition	35	1	118-63	Terminal, Fuse - Triple
12	1	117-87	Nut, M12 x 1.25, Zn	36	5	118-62	Terminal, Fuse - Single
13	1	613-130	Gauge, LCD	37	3	613-45	Insulator, Terminal (6 ga.)
14	1	613-37	Terminal Strip, Ground	38	3	117-20	Nut, Fin. Hex 1/4-20 Zn
15	2	120-15	Rivet 1/8 x 7/16	39	1	613-68	Starter Relay
16	4	127-24	Clamp, Nylon - 1" ID	40	1	108-03	Lockwasher 1/4 Split Ring Zn
17	1	613-14	Wire, Ground - 14"	41	1	103-48	T/S Pan Hd Phil #10x5/8 A Blk
18	1	613-94	Wire, Positive Battery	44	1	681-00	FOB, Key - Floating
19	1	127-55	Cap, Battery Terminal - Red	45	2	613-152	Bezel, Headlamp
20	2	127-56	Terminal, Battery Post	46	1	613-99	Light, Shifter Illumination *
21	1	127-54	Battery, Exide 45-60	47	1	613-95	Wire, Negative Battery
	1	613-161	Battery, Optima - Argo (Opt.)	48	2	118-69	Terminal, 3/16 Male Blade 22 Ga *
22	8	100-64	Tie Wrap - 5.5" - Black	49	2	112-139	OHPS T/S #4 x 5/8 Black Zn *
23	13	126-93	Clamp, Nylon Wire - 1/2" ID				* 6x6 Frontier 650 only
24	1	127-154	Label, Fuse Panel				



# **ARGO** Products Manufactured by:

## **Ontario Drive & Gear Limited**

220 Bergey Court

New Hamburg, Ontario

Canada N3A 2J5

Phone: (519) 662-2840

Fax: (519) 662-2421

[www.argoatv.com](http://www.argoatv.com)

**ODG** *Dedicated to quality and performance*